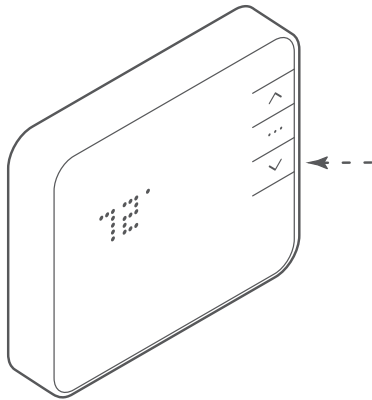


11 Connect the Thermostat to the system

Now you can connect the Alarm.com Smart Thermostat to the Alarm.com home system using the Z-Wave network.

To pair, make sure the thermostat is in **OFF** mode (no mode icons are lit) and press and hold the **DOWN** (▼) button until you see the **RADIO** (📶) icon.



12 Configure your system

You must program the thermostat settings (or run through the online setup wizard) before putting the thermostat into heating or cooling mode.

Visit the Alarm.com Dealer Website or use MobileTech to configure the system parameters.

Dealer Website > Customers > Equipment > emPower Devices > Configure Device

For more detailed instructions, please visit:

Dealer Website > Support & Sales > Support Documentation

For questions, please contact **Support@alarm.com**.

Configure Your Thermostat Using MobileTech

Use MobileTech to quickly configure your new Smart Thermostat.

- 1 Pull up your customer's account and select the emPower® button.
- 2 Click on Z-Wave Devices and select the Smart Thermostat.
- 3 Review and update Installer settings to configure.

Download MobileTech today!

www.alarm.com/mobiletech



www.alarm.com • 1-877-389-4033

Copyright © 2015 Alarm.com. All rights reserved. Alarm.com and the Alarm.com Logo are registered trademarks of Alarm.com.



Smart Thermostat

ADC-T2000

Quick Installation Guide

www.alarm.com • 1-877-389-4033

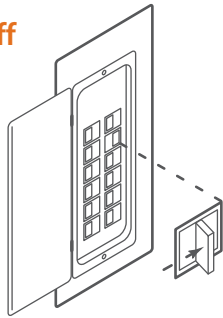
1 Test the system

Verify that the heating and/or cooling system is operating properly with the existing thermostat.

CAUTION: If the existing thermostat is labeled 120V or 240V, or has thick wires with wire nuts, the system is high voltage. Do not install the new thermostat to a high voltage system.

2 Turn power off

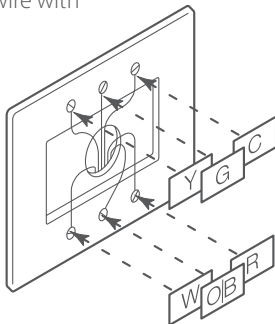
Turn the heating and cooling system off at the circuit breaker.



3 Remove the existing thermostat cover

Carefully label each wire with the provided labels.

TIP: Take a picture of the existing wiring before disconnecting.



5 Disconnect the existing thermostat

Disconnect all wires and remove the thermostat base.

TIP: Check that all wires are a proper gauge (18-24 AWG), have approximately 1/8" exposed straight ends, and are in good condition.

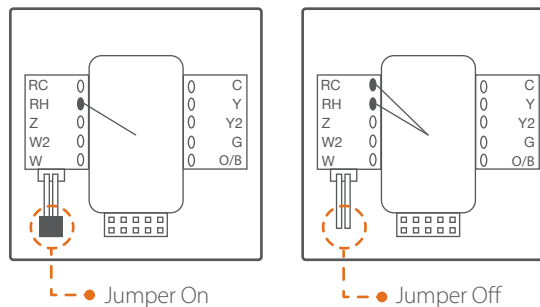
6 Install the new back plate

If necessary, first install the optional trim plate to cover any holes or marks left from the old thermostat.

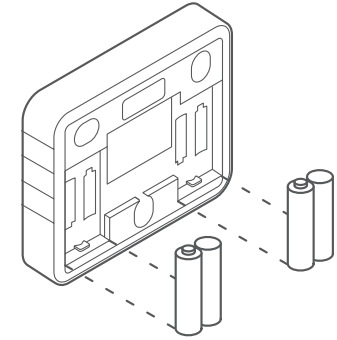
7 Connect the wires

Reconnect the wires and record the new connections (you may want to take another picture).

TIP: If you have RH & RC, remove the black jumper in the lower left corner of the back plate terminal board with needle-nose pliers.

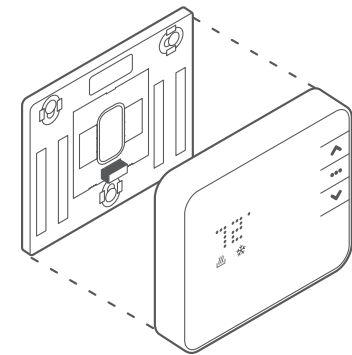


8 Install the batteries



9 Attach the Alarm.com Smart Thermostat

Make sure that any excess wire is tucked back into the wall and press the thermostat firmly into the back plate.



10 Turn the power on

Restore the power at the circuit breaker.